



K. LACEY WIRES AND CABLES

TWP PTFE Cable Sleeve (TWP)

PRODUCT DESCRIPTION

PTFE Class 250T Cable Sleeve

Manufactured from TW grade PTFE, TWP Cable Sleeves and Sleeving exhibit excellent resistance to oils, acids and fuels and are used in harsh and extreme conditions.

APPROVAL STANDARDS

BS 3G198, Part 2, Type 7

BS 6746 C

BS 2848, Type 6

International RCC Markers

DEF STAN 59-15, Type D6

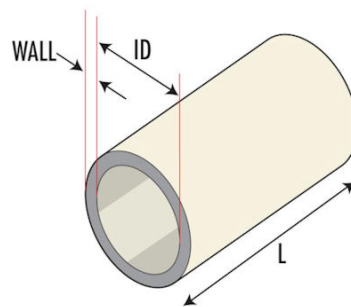
APPLICATION METHODS

Push on

TWP Cable Sleeves and Sleeving are push fitted. Typical sleeve products would be used in applications requiring extreme resistance to fluids, temperature and electricity. Typically used in aerospace applications.

TWP Cable Sleeves and Sleeving are able to withstand shock and over a wide temperature range and has excellent impact strength at low temperatures.

Property	Value
Temperature Range	-65°C to +250°C
Colour Fastness	Standard 6 minimum
Flammability	Self extinguishing
Chemical Resistance	Excellent
Resistance to Mould Growth	BS2011 pt 2.1J
Insulation Resistance (Dry)	100,000 Megohms minimum
Proof Voltage	10kV per 1mm wall thickness
Shrinkage 250°C x 6hrs	3% Maximum



CONTACT US NOW FOR A QUOTATION

Tel. +44 (0) 1903 771336

Fax. +44 (0) 1903 255411

Email. sales@klaceyables.co.uk

INFORMATION GIVEN IS BASED ON GENERAL EXPERIENCE ONLY AND IS GIVEN IN GOOD FAITH. NO WARRANTY IS GIVEN WITH RESPECT TO THE INFORMATION AND USERS MUST DETERMINE THE SUITABILITY OF THE PRODUCT PRIOR TO ANY PARTICULAR USE.

AS9120 Rev A and ISO9001:2008 APPROVED BSI. RS000146 BAE APPROVED



Unit 4
 Brookside Avenue Trading
 Estate
 Rustington
 West Sussex
 BN16 3LF

Tel: +44 (0)1903 771336
 Fax: +44 (0)1903 255411
 www.klaceycables.co.uk

PRODUCT REFERENCE	INTERNAL DIAMETER (MM)	STD WALL THICKNESS	STD WALL INS.
TWP30	0.36	0.2	0.008
TWP26	0.50	0.25	0.010
TWP22	0.71	0.25	0.010
TWP19	1.01	0.3	0.012
TWP12	2.16	0.3	0.012
TWP9	3.02	0.38	0.015
TWP6	4.29	0.38	0.015
TWP4	5.43	0.38	0.015
TWP3	6.07	0.38	0.015
TWP1	7.60	0.38	0.015
TWP 0	8.63	0.38	0.38

Available Colours

Black, Brown, Red, Orange, Yellow, Green, Blue, Violet, Grey, White, Pink, Natural



CONTACT US NOW FOR A QUOTATION

Tel. +44 (0) 1903 771336 Fax. +44 (0) 1903 255411 Email. sales@klaceyables.co.uk

INFORMATION GIVEN IS BASED ON GENERAL EXPERIENCE ONLY AND IS GIVEN IN GOOD FAITH. NO WARRANTY IS GIVEN WITH RESPECT TO THE INFORMATION AND USERS MUST DETERMINE THE SUITABILITY OF THE PRODUCT PRIOR TO ANY PARTICULAR USE.

AS9120 Rev A and ISO9001:2008 APPROVED BSI. RS000146 BAE APPROVED