



K. LACEY WIRES AND CABLES

TW PTFE Cable Sleeve (TW)

PRODUCT DESCRIPTION

PTFE Class 250T Cable Sleeve

Manufactured from TW grade PTFE, TW Cable Sleeves and Sleeving exhibit excellent resistance to oils, acids and fuels and are used in harsh and extreme conditions.

APPROVAL STANDARDS

BS 3G198, Part 2, Type 7

BS 6746 C

BS 2848, Type 6

International RCC Markers

DEF STAN 59-15, Type D6

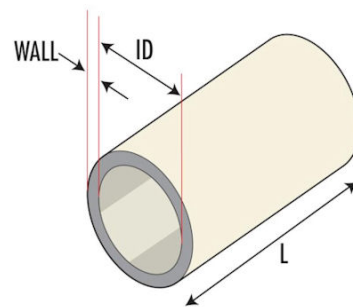
APPLICATION METHODS

Push on

TW Cable Sleeves and Sleeving are push fitted. Typical sleeve products would be used in applications requiring extreme resistance to fluids, temperature and electricity. Typically used in aerospace applications.

TW Cable Sleeves and Sleeving are able to withstand shock and over a wide temperature range and has excellent impact strength at low temperatures.

Property	Value
Temperature Range	-65°C to +250°C
Colour Fastness	Standard 6 minimum
Flammability	Self extinguishing
Chemical Resistance	Excellent
Resistance to Mould Growth	BS2011 pt 2.1J
Insulation Resistance (Dry)	100,000 Megohms minimum
Proof Voltage	10kV per 1mm wall thickness
Shrinkage 250°C x 6hrs	3% Maximum



CONTACT US NOW FOR A QUOTATION

Tel. +44 (0) 1903 771336 Fax. +44 (0) 1903 255411 Email. sales@klaceyables.co.uk

INFORMATION GIVEN IS BASED ON GENERAL EXPERIENCE ONLY AND IS GIVEN IN GOOD FAITH. NO WARRANTY IS GIVEN WITH RESPECT TO THE INFORMATION AND USERS MUST DETERMINE THE SUITABILITY OF THE PRODUCT PRIOR TO ANY PARTICULAR USE.

AS9120 Rev A and ISO9001:2008 APPROVED BSI. RS000146 BAE APPROVED



PRODUCT REFERENCE	INTERNAL DIAMETER (MM)	STD WALL THICKNESS	STD WALL INS.
TW30	0.36	0.2	0.008
TW26	0.50	0.25	0.010
TW22	0.71	0.25	0.010
TW19	1.01	0.3	0.012
TW12	2.16	0.3	0.012
TW9	3.02	0.38	0.015
TW6	4.29	0.38	0.015
TW4	5.43	0.38	0.015
TW3	6.07	0.38	0.015
TW1	7.60	0.38	0.015
TW 0	8.63	0.38	0.38

Available Colours

Black, Brown, Red, Orange, Yellow, Green, Blue, Violet, Grey, White, Pink, Natural



CONTACT US NOW FOR A QUOTATION

Tel. +44 (0) 1903 771336 Fax. +44 (0) 1903 255411 Email. sales@klaceyables.co.uk

INFORMATION GIVEN IS BASED ON GENERAL EXPERIENCE ONLY AND IS GIVEN IN GOOD FAITH. NO WARRANTY IS GIVEN WITH RESPECT TO THE INFORMATION AND USERS MUST DETERMINE THE SUITABILITY OF THE PRODUCT PRIOR TO ANY PARTICULAR USE.

AS9120 Rev A and ISO9001:2008 APPROVED BSI. RS000146 BAE APPROVED