



# K. LACEY WIRES AND CABLES

## PVC SLEEVING (105T)

### PRODUCT DESCRIPTION

Manufactured from OSB grade PVC, B(105T)P Cable Sleeves and Sleeving are economical to use. B(105T)P Cable Sleeves and Sleeving are manufactured to meet Military and British standards, they also have reliable performance and are quick and easy to use.

### APPROVAL STANDARDS

DEF STAN 59-15, Type D1b  
 BS 2848, Type 3  
 BS 6746 C  
 International RCC Markers

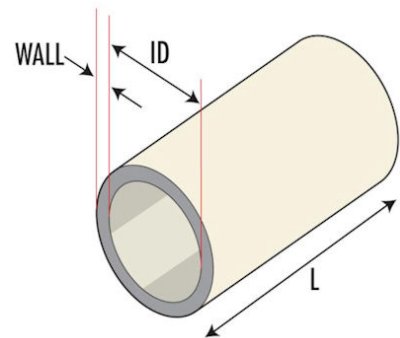
### Application Method

Push on

B(105T)P Cable Sleeves and Sleeving are push fitted or slipped over wires for cable identification.

B(105T)P Cable Sleeves and Sleeving are easy to use and particularly suitable where overall cable diameters have to be kept to a minimum.

Property	Value
Temperature Range	-65°C to +105°C
Colour Fastness	Standard 6 minimum
Flammability	Self Extinguishing (fitted)
Chemical Resistance	Good
Resistance to Mould Growth	BS2011 pt 2.1j
Insulation Resistance	10 <sup>10</sup> Q cm
Dielectric Strength	20kV/mm
Tensile Strength	15MPa
Elongation At Break	220%



## CONTACT US NOW FOR A QUOTATION

Tel. +44 (0) 1903 771336 Fax. +44 (0) 1903 255411 Email. [sales@klaceyables.co.uk](mailto:sales@klaceyables.co.uk)

INFORMATION GIVEN IS BASED ON GENERAL EXPERIENCE ONLY AND IS GIVEN IN GOOD FAITH. NO WARRANTY IS GIVEN WITH RESPECT TO THE INFORMATION AND USERS MUST DETERMINE THE SUITABILITY OF THE PRODUCT PRIOR TO ANY PARTICULAR USE.

AS9120 Rev A and ISO9001:2008 APPROVED BSI. RS000146 BAE APPROVED



PRODUCT REFERENCE	NOMINAL BORE ID (MM)	NOMINAL WALL THICKNESS (MM)	LENGTH
B(105T)P05	0.5	0.4	Any length to
B(105T)P075	0.75	0.4	nearest 0.5mm
B(105T)P10	1.0	0.4	
B(105T)P15	1.5	0.5	
B(105T)P20	2.0	0.5	
B(105T)P25	2.5	0.5	
B(105T)P50	5.0	0.5	
B(105T)P80	8.0	0.65	
B(105T)P10	10.0	0.65	
B(105T)P150	15.0	0.85	
B(105T)P250	25.0	0.85	

Many other standard and bespoke sizes available.

#### COLOURS

Black, Brown, Red, Orange, Yellow, Green, Blue, Violet, Grey, White, Pink



## CONTACT US NOW FOR A QUOTATION

Tel. +44 (0) 1903 771336 Fax. +44 (0) 1903 255411 Email. [sales@klaceyables.co.uk](mailto:sales@klaceyables.co.uk)

INFORMATION GIVEN IS BASED ON GENERAL EXPERIENCE ONLY AND IS GIVEN IN GOOD FAITH. NO WARRANTY IS GIVEN WITH RESPECT TO THE INFORMATION AND USERS MUST DETERMINE THE SUITABILITY OF THE PRODUCT PRIOR TO ANY PARTICULAR USE.

AS9120 Rev A and ISO9001:2008 APPROVED BSI. RS000146 BAE APPROVED