



K. LACEY WIRES AND CABLES

SP Silicone Cable Sleeves & Sleeving (SP)

PRODUCT DESCRIPTION

Manufactured from OSS Silicone, SP Cable Sleeves and Sleeving have great resilience and elasticity, retaining these properties over a wide temperature range. While normal operating temperatures can be as high as 180°C, SP Cable Sleeves and Sleeving will remain flexible at temperatures as low as - 65°C.

APPROVAL STANDARDS

- BS 2848, Type 5
- BS 6746 C
- International RCC Markers
- BS 3858 (1992) Type 5a
- DEF STAN 59-15, Type D5
- BS 3858 (1992) Type 5b
- BS 3858 (1992) Type 5c

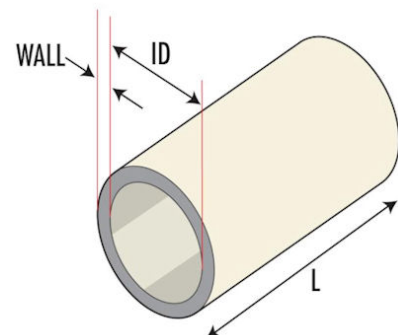
Application Method

Push on / Stretch on

SP Cable Sleeves are usually stretch fitted using a sleeving tool. Radial stretch while fitting is up to 4x nominal bore, when fitted up to 2 x nominal bore.

Bulk packed as standard, also available packed to your requirements on request. All SP Cable Sleeves and Sleeving is fully post cured

Property	Value
Temperature Range	-65°C to + 180°C
Colour Fastness	Standard 6 minimum
Flammability	Self Extinguishing (Fitted)
Tensile Strength	5.5 MPa minimum
Elongation at Break	200% minimum
Chemical Resistance	Poor
Resistance to Mould Growth	BS2011 pt 2.1 J
Proof Voltage	1kV per 0.1mm wall thickness
Insulation Resistance (Dry)	100,000 Megohms minimum



CONTACT US NOW FOR A QUOTATION

Tel. +44 (0) 1903 771336 Fax. +44 (0) 1903 255411 Email. sales@klaceyables.co.uk

INFORMATION GIVEN IS BASED ON GENERAL EXPERIENCE ONLY AND IS GIVEN IN GOOD FAITH. NO WARRANTY IS GIVEN WITH RESPECT TO THE INFORMATION AND USERS MUST DETERMINE THE SUITABILITY OF THE PRODUCT PRIOR TO ANY PARTICULAR USE.

AS9120 Rev A and ISO9001:2008 APPROVED BSI. RS000146 BAE APPROVED



PRODUCT REFERENCE	NOMINAL BORE ID (MM)	NOMINAL WALL THICKNESS (MM)	LENGTH
SP05/05	0.5	0.5	Any length to
SP075/05	0.75	0.5	nearest 0.5mm
SP10/05	1.0	0.5	
SP15/05	1.5	0.5	
SP20/05	2.0	0.5	
SP25/05	2.5	0.5	
SP30/05	3.0	0.5	
SP40/05	4.0	0.5	
SP50/05	5.0	0.5	
SP75/07	7.5	0.7	
SP100/07	10.0	0.7	

Many other standard and bespoke sizes available.

COLOURS

Black, Brown, Red, Orange, Yellow, Green, Blue, Violet, Grey, White, Pink



CONTACT US NOW FOR A QUOTATION

Tel. +44 (0) 1903 771336 Fax. +44 (0) 1903 255411 Email. sales@klaceyables.co.uk

INFORMATION GIVEN IS BASED ON GENERAL EXPERIENCE ONLY AND IS GIVEN IN GOOD FAITH. NO WARRANTY IS GIVEN WITH RESPECT TO THE INFORMATION AND USERS MUST DETERMINE THE SUITABILITY OF THE PRODUCT PRIOR TO ANY PARTICULAR USE.

AS9120 Rev A and ISO9001:2008 APPROVED BSI. RS000146 BAE APPROVED